

**SMD LED LAMP, Multi Color**
**BL-LS4509A0S3RGB**
**Features:**

- 4.5mmx0.9mm SMD, Side view, RGB LED
- RGB type, Ultra brightness
- Compatible with automatic placement equipment
- WIDE VIEWING ANGLE.
- IDEAL FOR BACKLIGHT AND INDICATOR.
- PACKAGE: 4KPCS/REEL
- RoHs Compliance


**■ Electrical-optical characteristics: (Ta=25°C) (Test Condition: IF=20mA)**

Part Number	Chip			Lens Type	Forward Voltage(VF) Unit:V		Luminous Intensity (Iv) Unit:mcd		Viewing Angle 2θ1/2 (deg)
	Emitted Color	Material	λ <sub>P</sub> (nm)		Typ	Max	Min.	Typ.	
					BL-LS4509A0S3RGB	Ultra Red	AlGaInP	630	
	Ultra Pure Green	InGaN	525		3.10	4.20	650	1600	
	Ultra Blue	InGaN	470		3.10	4.20	280	550	

**■ Absolute maximum ratings (Ta=25°C)**

Parameter	R	G	B	Unit
Forward Current I <sub>F</sub>	30	30	30	mA
Power Dissipation P <sub>d</sub>	78	78	78	mW
Reverse Voltage V <sub>R</sub>	5	5	5	V
Peak Forward Current I <sub>PF</sub> (Duty 1/10 @1KHZ)	100	100	100	mA
Operation Temperature T <sub>OPR</sub>	-30 to +80			°C
Storage Temperature T <sub>STG</sub>	-40 to +85			°C
Lead Soldering Temperature T <sub>SOL</sub>	Max.260±5°C for 3 sec Max. (1.6mm from the base of the epoxy bulb)			°C

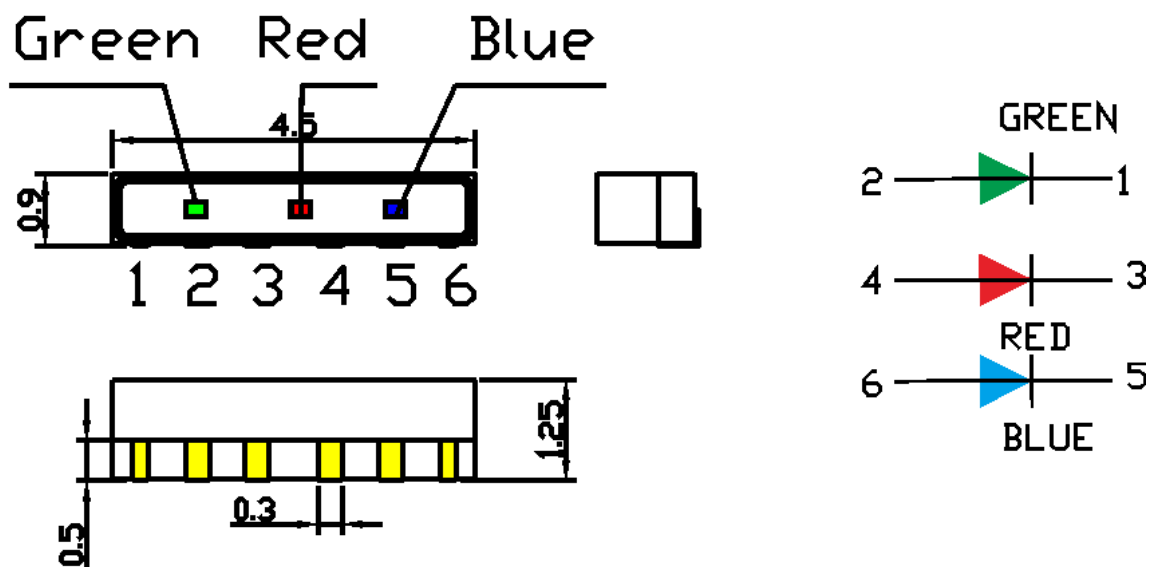
**SMD LED LAMP, Multi Color**

**BL-LS4509A0S3RGB**

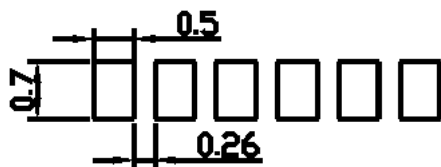
■ **Package configuration & Internal circuit diagram**

**BL-LS4509A0S3RGB Series**

**Package Outline Drawing**



**Recommended Soldering Pad Dimensions**



**Notes:**

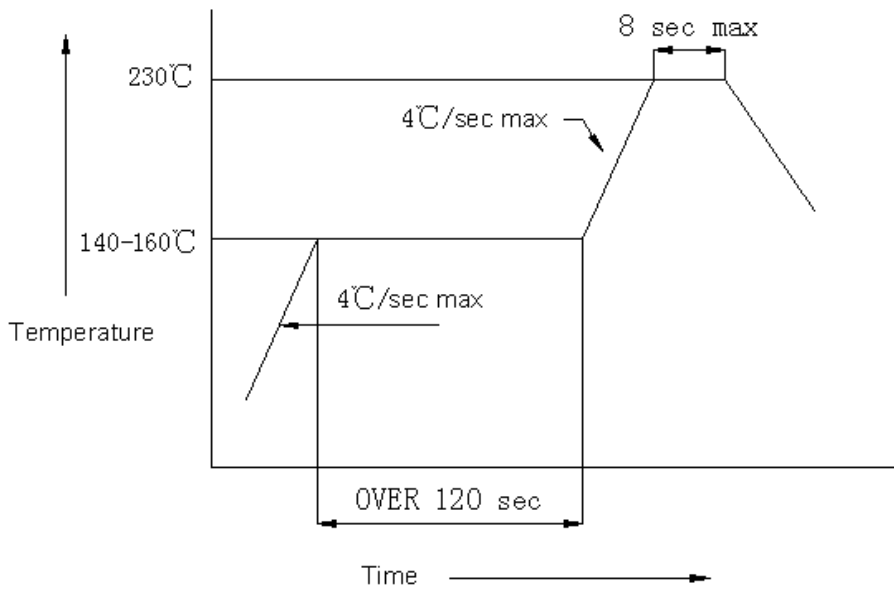
1. All dimensions are in millimeters (inches)
2. Tolerance is  $\pm 0.25(0.01)$  unless otherwise noted.
3. Specifications are subject to change without notice.

**SMD LED LAMP, Multi Color**

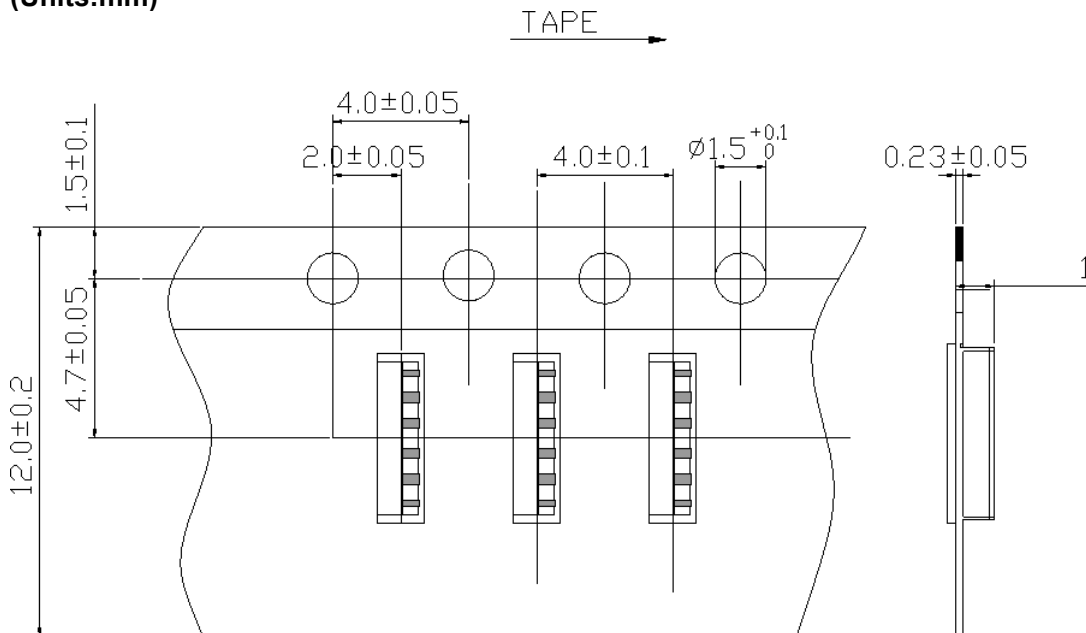
**BL-LS4509A0S3RGB**

■ **Smt Reflow Soldering Instructions**

Number of reflow process shall be less than 2 times and cooling process to normal temperature is required between first and second soldering process



■ **Tape Specifications (Units:mm)**

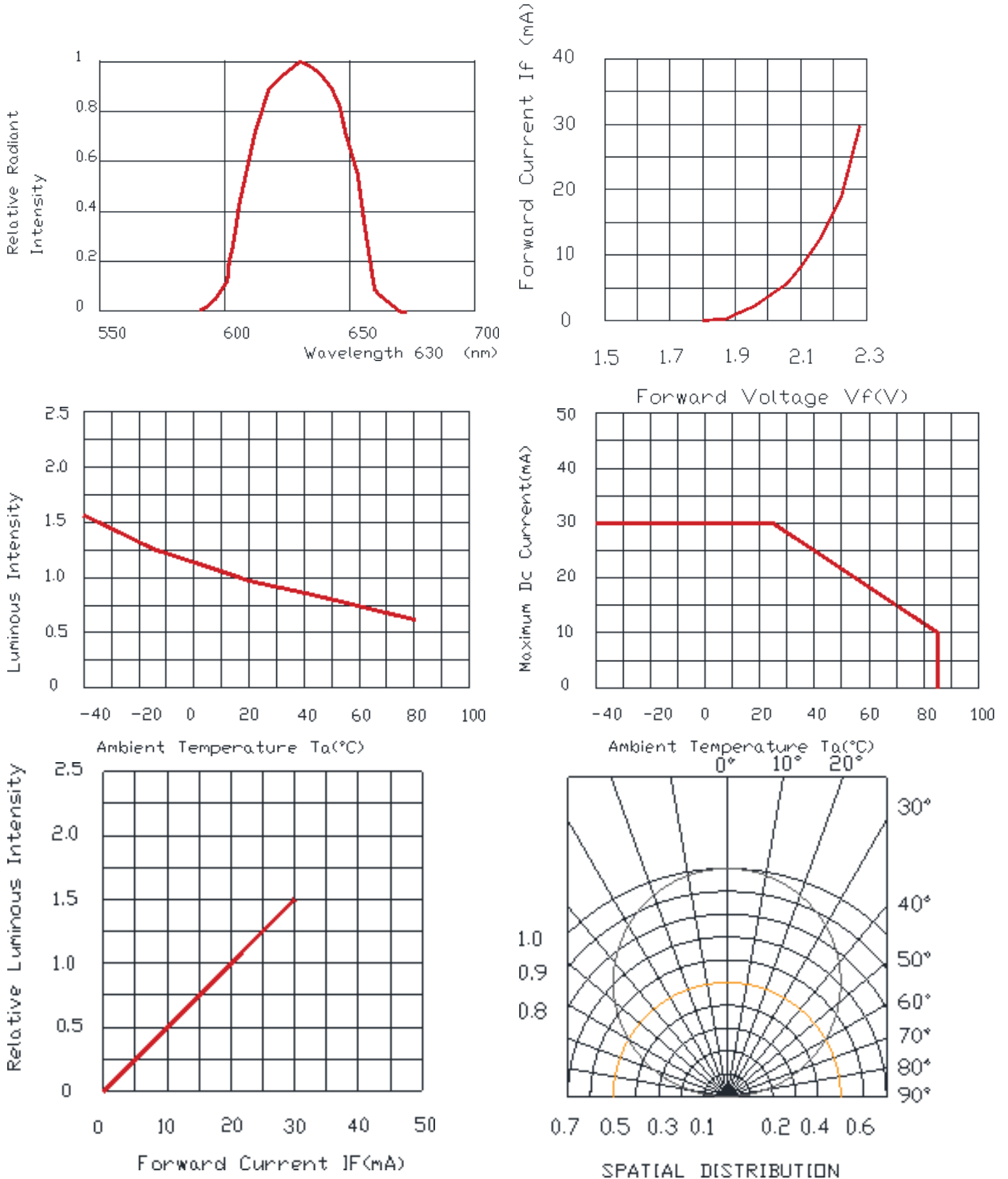


**SMD LED LAMP, Multi Color**

**BL-LS4509A0S3RGB**

■ **Typical electrical-optical characteristics curves:**

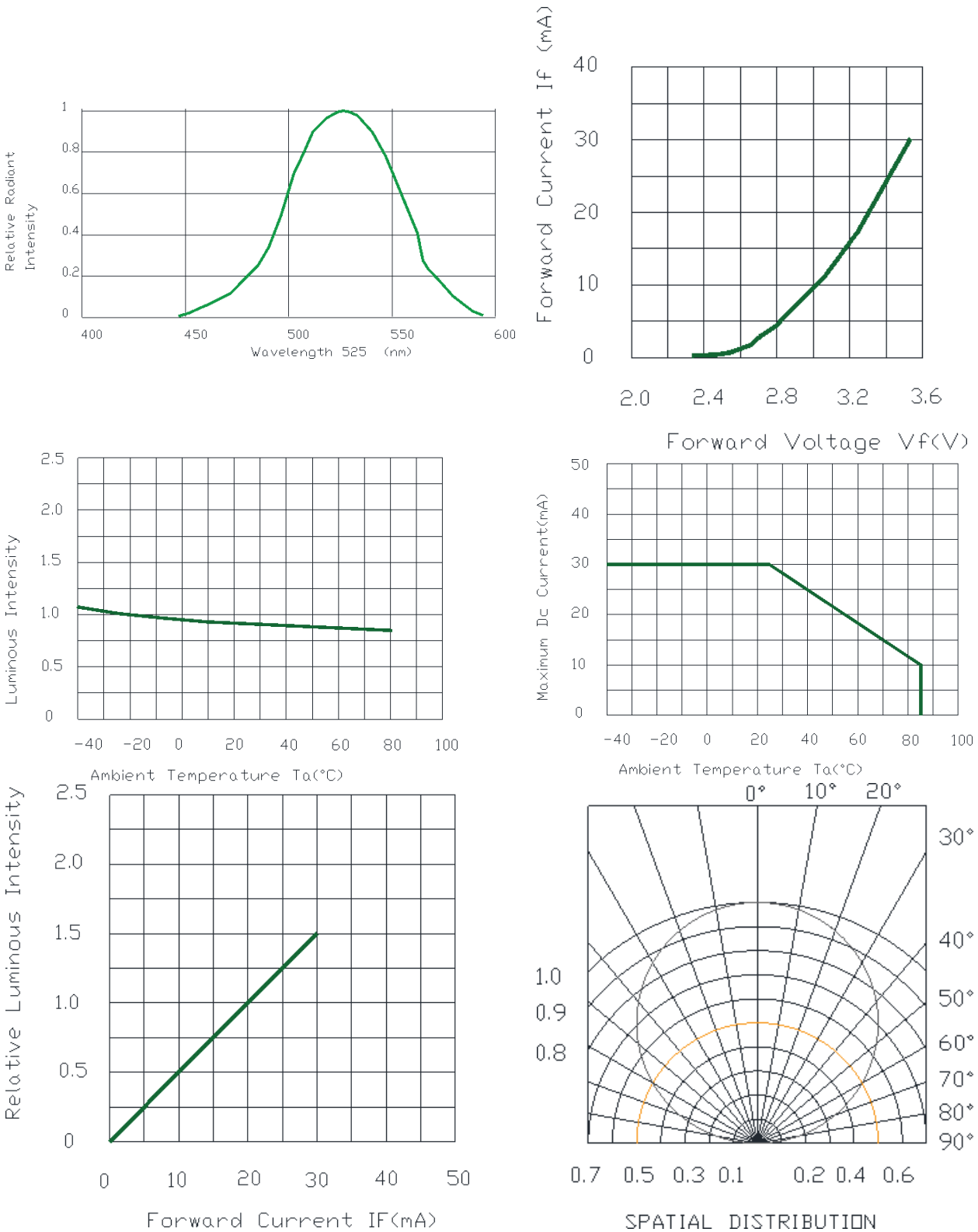
Red:



**SMD LED LAMP, Multi Color**

**BL-LS4509A0S3RGB**

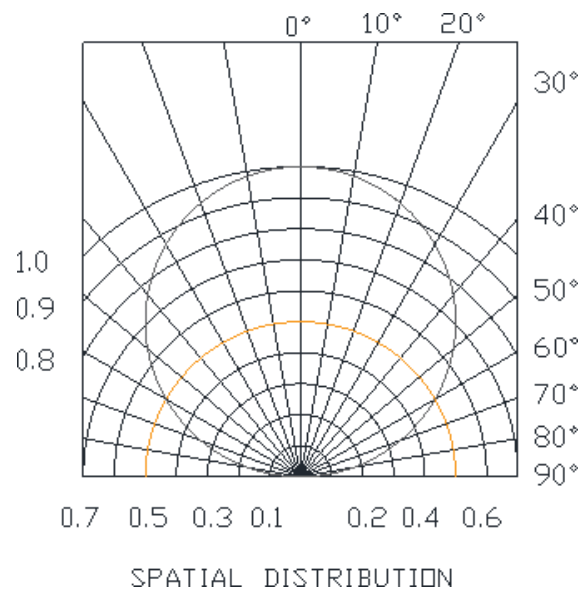
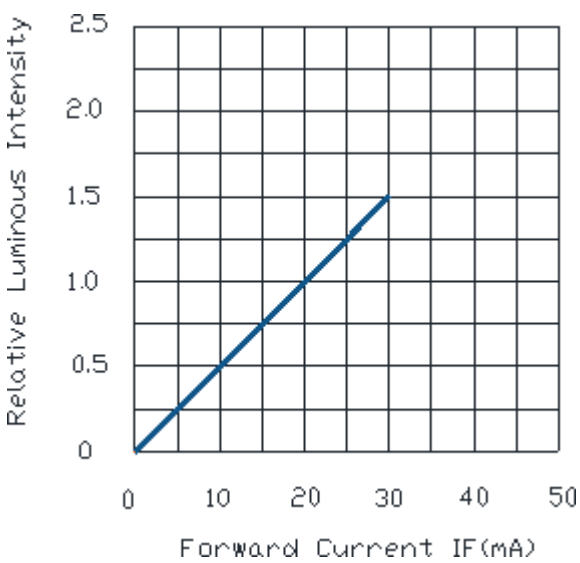
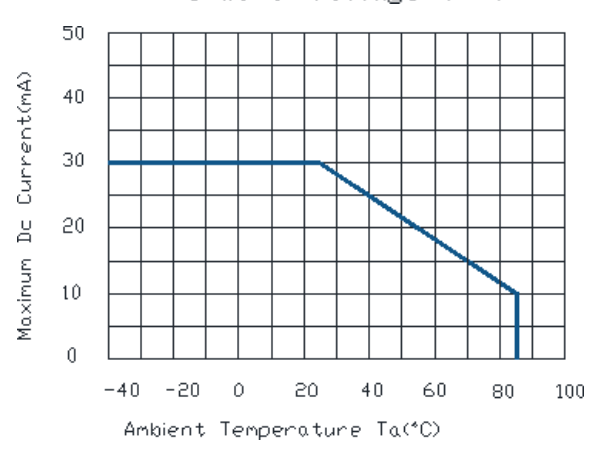
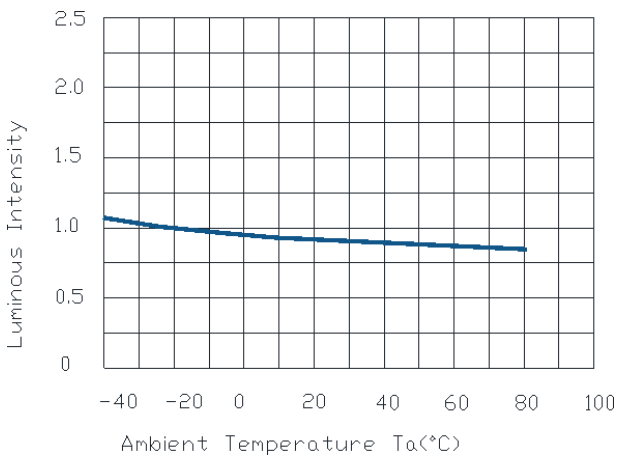
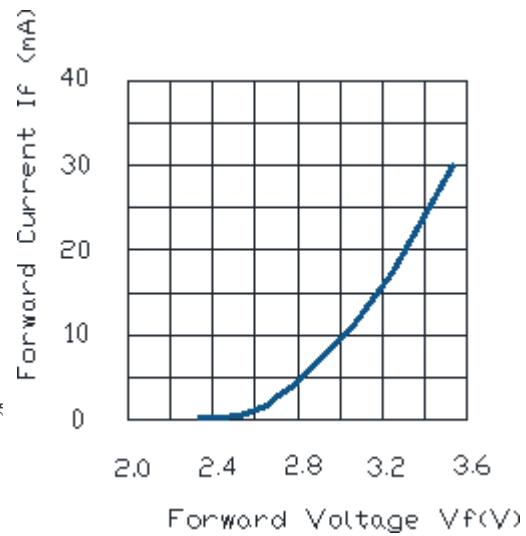
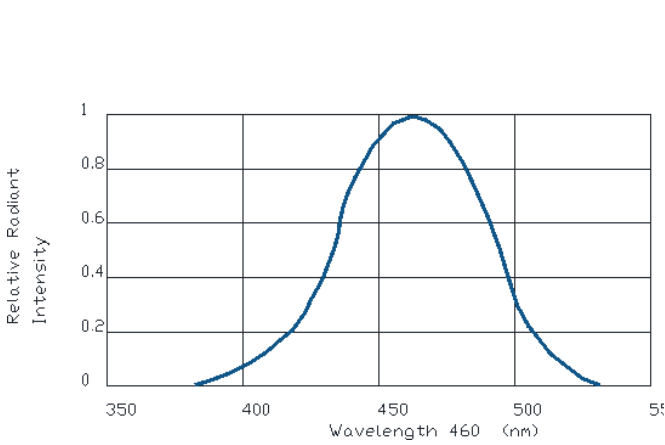
Green:



**SMD LED LAMP, Multi Color**

**BL-LS4509A0S3RGB**

Blue:



**SMD LED LAMP, Multi Color**

**BL-LS4509A0S3RGB**

■ **Packing and weighting**

