

SMD INFRARED EMITTING DIODES

BL-LS3528A0S1IR

Features:

- 3.5mmx2.8mm SMD, 1.9mm THICKNESS PLCC2 package, Infrared LED
- High Reliability
- Peak Wavelength at 940, 880, 850nm
- Water Clear, yellow Transparent, Blue Transparent available
- IC compatible /Low current capability.
- PACKAGE: 2KPCS/REEL.
- RoHs Compliance



Applications:

- Free air transmission system
- Infrared remote control units with high power requirement
- Smoke detector
- Infrared Camera
- Infrared applied system

Electrical-optical characteristics: (Ta=25°C) (Test Condition: IF=50mA)

Part Number	Chip		Lens Type	$\Delta\lambda$	Ir (Vr=5 V, uA)	Forward Voltage(VF) Unit:V		Radiant Power (mw/sr)	Viewing Angle 2 θ 1/2 (deg)
	Material	λ_p (nm)				Typ	Max		
BL-LS3528A0S1IRAC	GaAs	940	Water Clear	50	10	1.40	1.60	30	120
BL-LS3528A0S1IRAB	GaAs	940	Blue Trans.	50	10	1.40	1.60	30	
BL-LS3528A0S1IRBC	GaAlAs	880	Water Clear	50	10	1.70	2.00	30	
BL-LS3528A0S1IRBB	GaAlAs	880	Blue Trans.	50	10	1.70	2.00	30	
BL-LS3528A0S1IRCC	GaAlAs	850	Water Clear	50	10	1.70	2.00	50	
BL-LS3528A0S1IRCB	GaAlAs	850	Blue Trans.	50	10	1.70	2.00	50	
BL-LS3528A0S1IRCY	GaAlAs	850	Yellow Trans.	50	10	1.70	2.00	50	

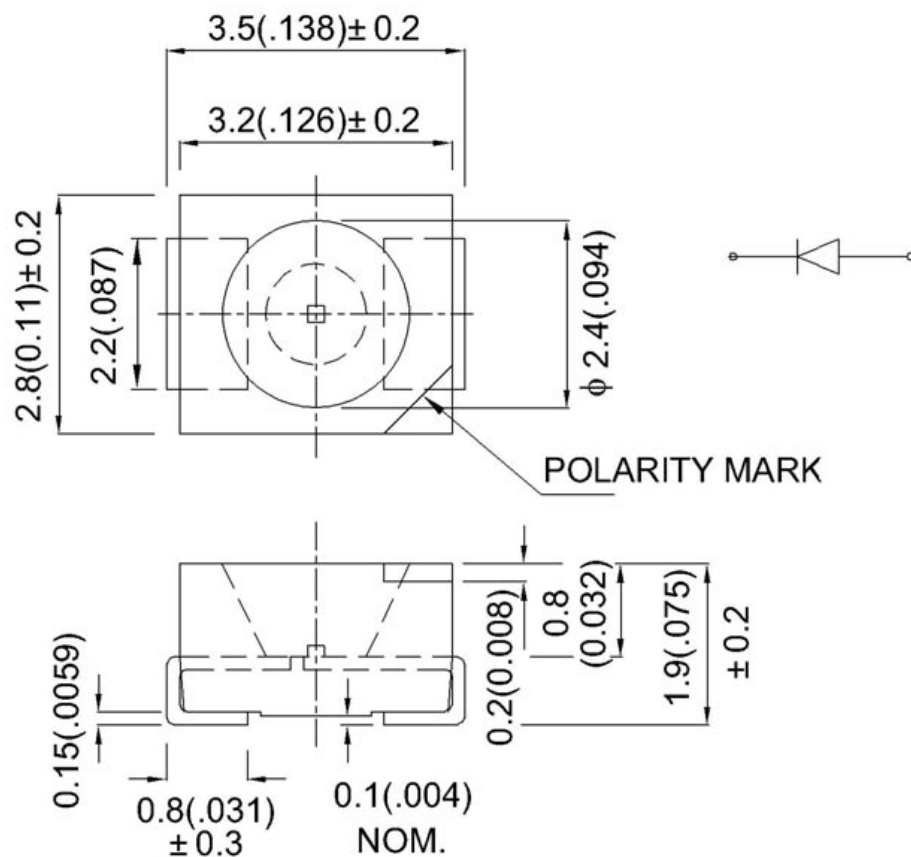
Absolute maximum ratings (Ta=25°C)

Parameter	Rating	Unit
Forward Current I_F	50	mA
Power Dissipation P_d	160	mW
Reverse Voltage V_R	5	v
Peak Forward Current I_{PF} (Duty 1/10 @1KHZ)	250	mA
Operation Temperature T_{OPR}	-40 to +100	°C
Storage Temperature T_{STG}	-40 to +100	°C
Lead Soldering Temperature T_{SOL}	Max.260±5°C for 3 sec Max. (1.6mm from the base of the epoxy bulb)	°C

SMD INFRARED EMITTING DIODES

BL-LS3528A0S1IR

■ Package configuration & Internal circuit diagram



Notes:

1. All dimensions are in millimeters (inches)
2. Tolerance is $\pm 0.25(0.01)$ unless otherwise noted.
3. Specifications are subject to change without notice.

SMD INFRARED EMITTING DIODES

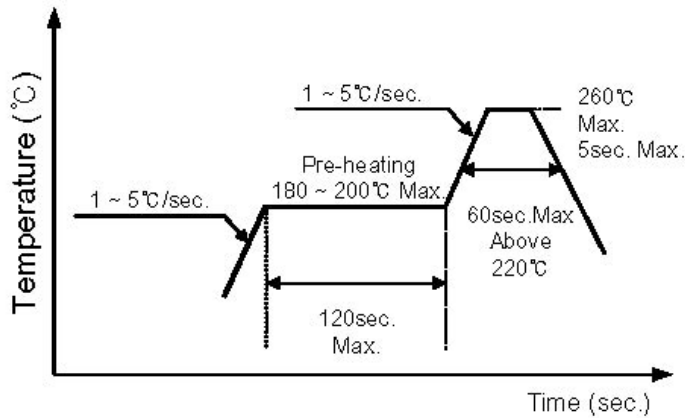
BL-LS3528A0S1IR

■ Tape Specifications

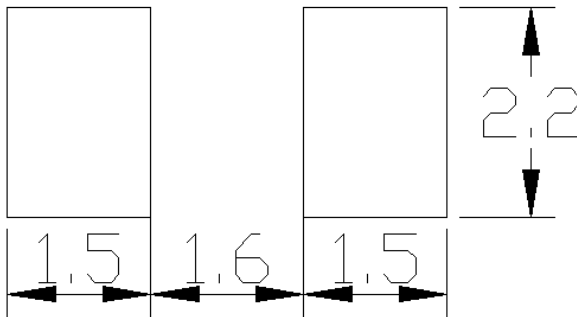
Smt Reflow Soldering Instructions

Number of reflow process shall be less than 2 times and cooling process to normal temperature is required between first and second soldering process

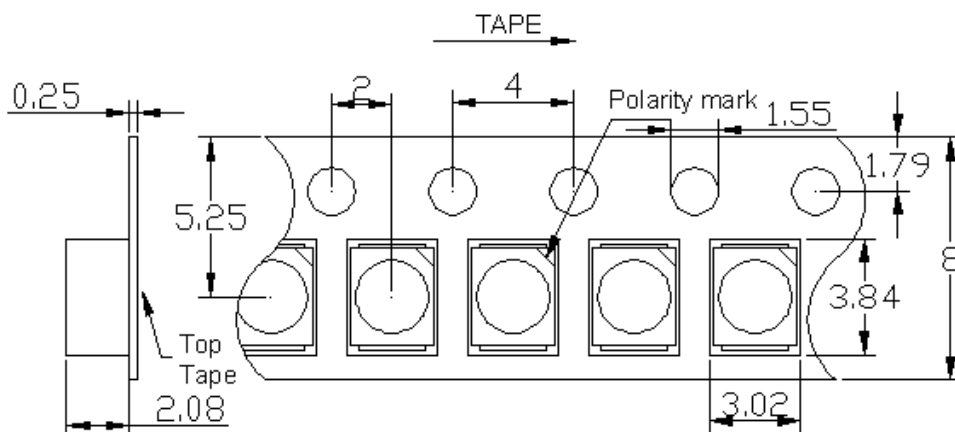
■ Lead-free Solder



Recommended Soldering Pattern (Units:mm)



Tape Specifications (Units:mm)



SMD INFRARED EMITTING DIODES

BL-LS3528A0S1IR

■ **Packing and weighting**

