

SMD Infrared Diode, dome type

BL-LS3216A0E1IR

Features:

- 3.2mmx1.6mm SMD, 1.8mm height, dome lens, Infrared diode
- High Reliability
- Peak Wavelength at 940, 880, 850nm
- Water Clear, yellow Transparent, Blue Transparent available
- PACKAGE: 3KPCS/REEL.
- RoHs Compliance



Applications:

- Free air transmission system
- Smoke detector
- Infrared Camera
- Optoelectronic switch
- Infrared applied system

Electrical-optical characteristics: (Ta=25°C) (Test Condition: IF=20mA)

Part Number	Chip		Lens Type	$\Delta\lambda$	Ir (Vr=5V, uA)	Forward Voltage(VF) Unit:V		Radiant Power (mw/sr)	Viewing Angle 2θ1/2(deg)
	Material	λ_p (nm)				Typ	Max		
								BL-LS3216A0E1IRAC	
BL-LS3216A0E1IRAB	GaAs	940	Blue Trans.	50	10	1.20	1.50	8	
BL-LS3216A0E1IRBC	GaAlAs	880	Water Clear	50	10	1.20	1.50	8	
BL-LS3216A0E1IRBB	GaAlAs	880	Blue Trans.	50	10	1.20	1.50	8	
BL-LS3216A0E1IRCC	GaAlAs	850	Water Clear	50	10	1.20	1.50	4	
BL-LS3216A0E1IRCB	GaAlAs	850	Blue Trans.	50	10	1.20	1.50	4	
BL-LS3216A0E1IRCY	GaAlAs	850	Yellow Trans.	50	10	1.20	1.50	4	

Absolute maximum ratings (Ta=25°C)

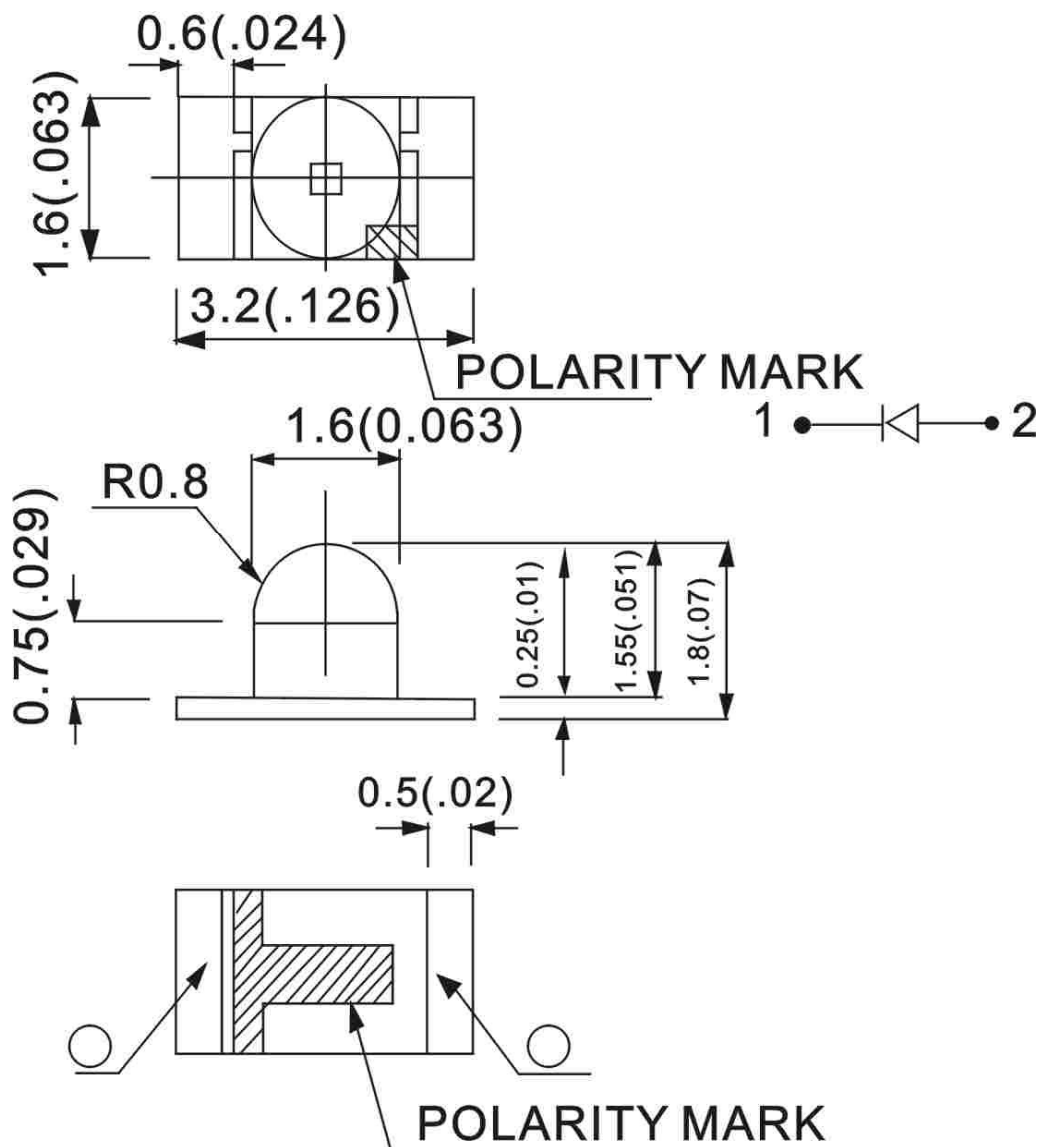
Parameter	Rating	Unit
Forward Current I_F	65	mA
Power Dissipation P_d	130	mW
Reverse Voltage V_R	5	V
Peak Forward Current I_{PF} (Duty 1/10 @1KHZ)	250	mA
Operation Temperature T_{OPR}	-40 to +100	°C
Storage Temperature T_{STG}	-40 to +100	°C
Lead Soldering Temperature T_{SOL}	Max.260±5°C for 3 sec Max. (1.6mm from the base of the epoxy bulb)	°C

SMD Infrared Diode, dome type

BL-LS3216A0E1R

■ **Package configuration & Internal circuit diagram**

BL-LS3216A0E1 Series



Notes:

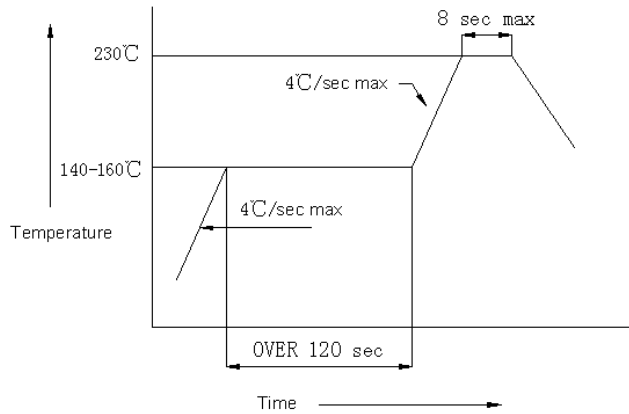
1. All dimensions are in millimeters (inches)
2. Tolerance is $\pm 0.25(0.01)$ unless otherwise noted.
3. Specifications are subject to change without notice.

SMD Infrared Diode, dome type

BL-LS3216A0E1IR

■ Smt Reflow Soldering Instructions

Number of reflow process shall be less than 2 times and cooling process to normal temperature is required between first and second soldering process

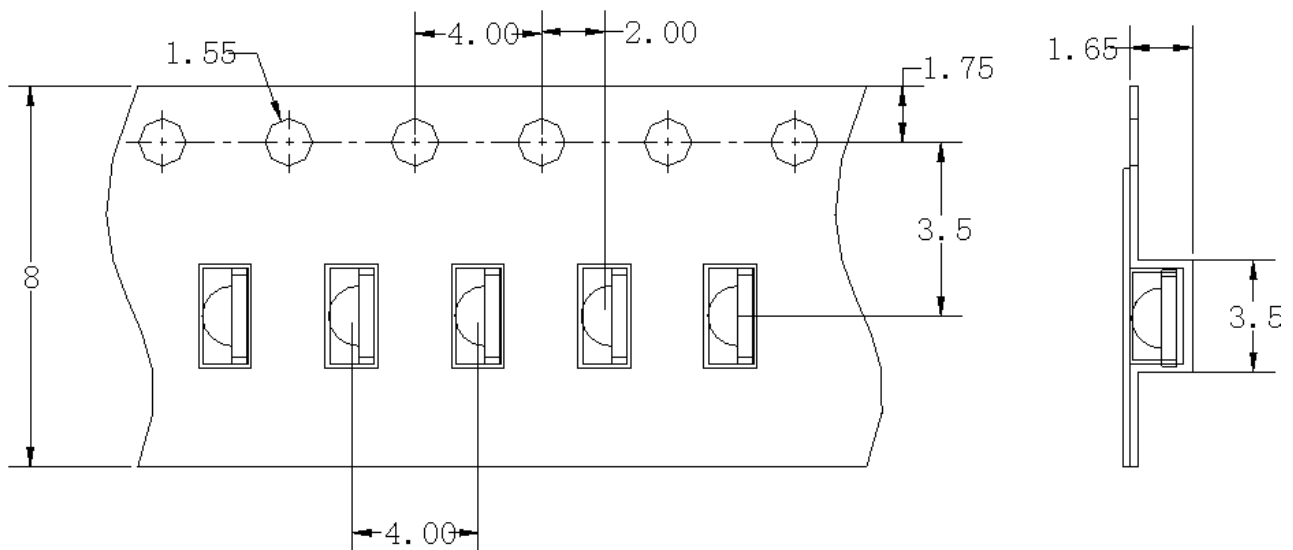


Tape Specifications

(Units:mm)

Unit: mm

Tolerance: ± 0.1

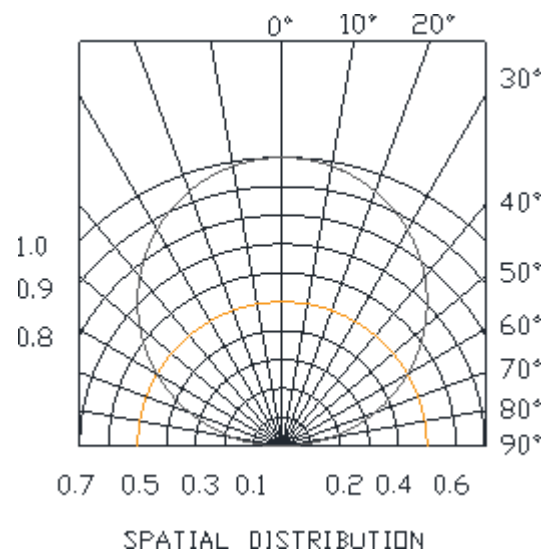
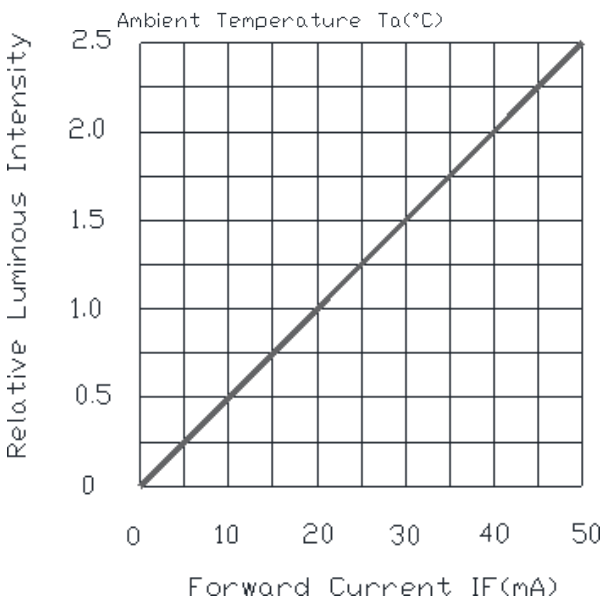
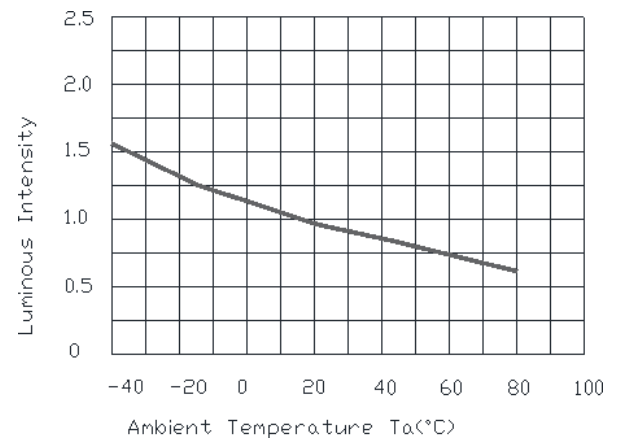
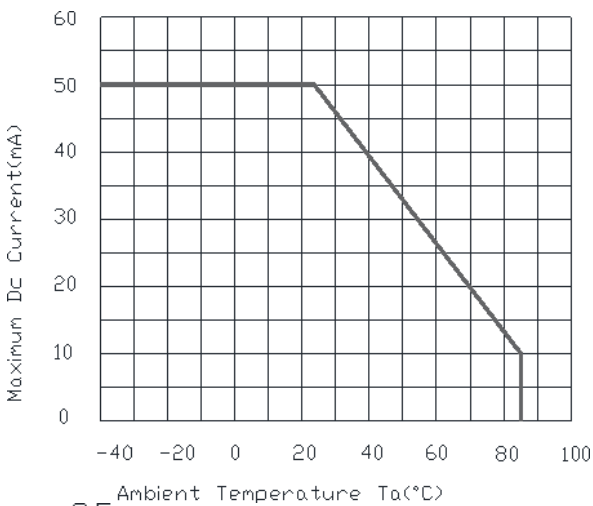
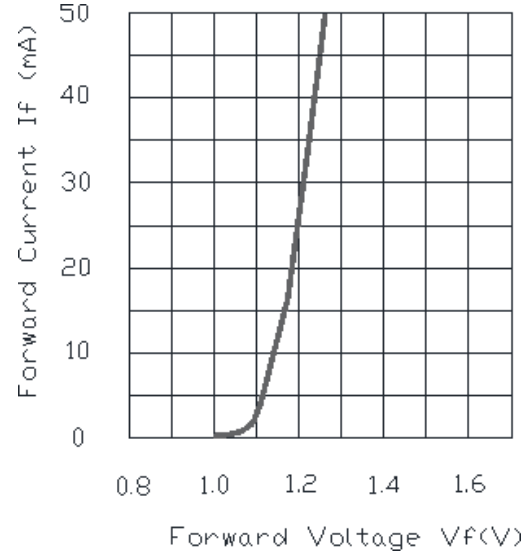
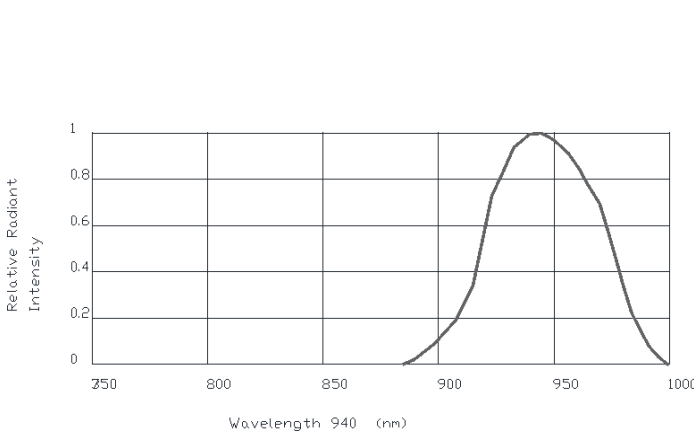


SMD Infrared Diode, dome type

BL-LS3216A0E1IR

■ **Typical electrical-optical characteristics curves:**

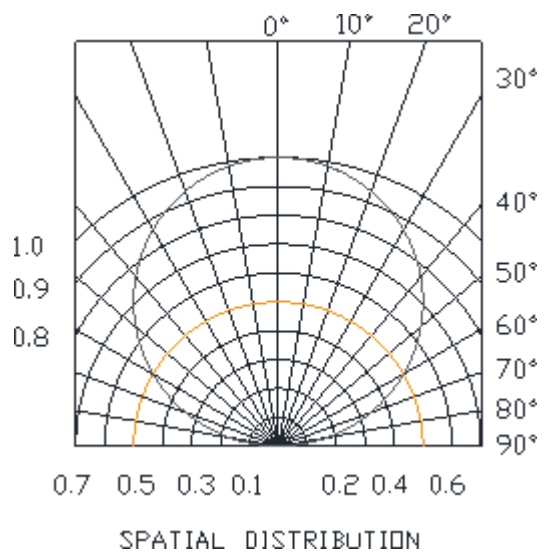
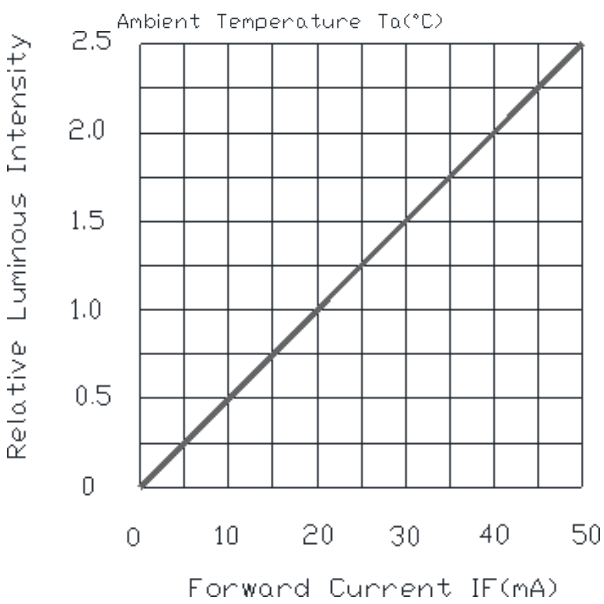
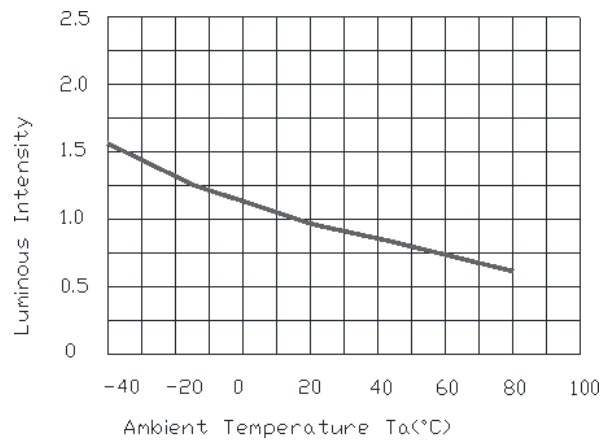
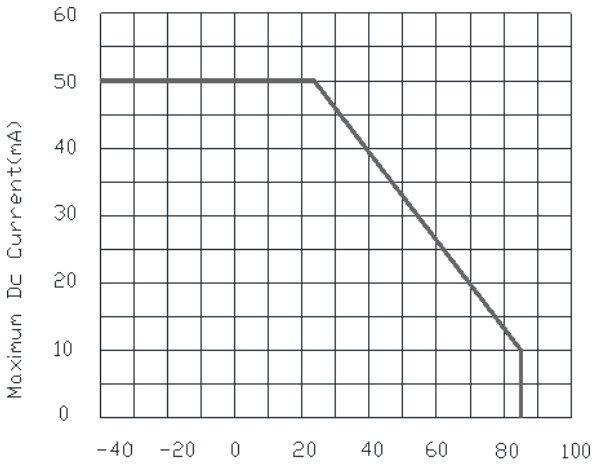
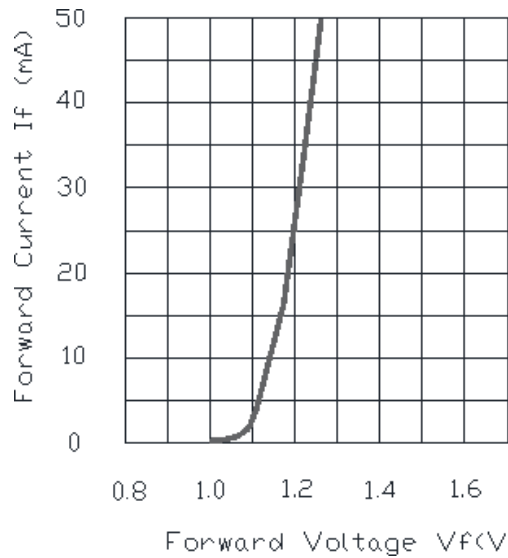
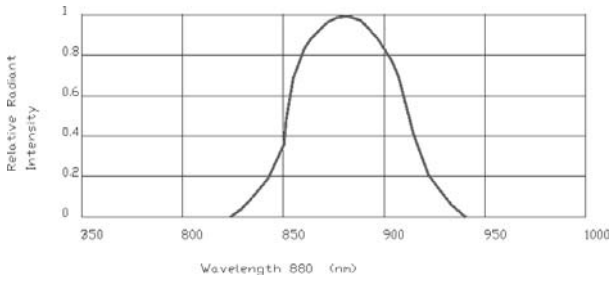
940nm



SMD Infrared Diode, dome type

BL-LS3216A0E1IR

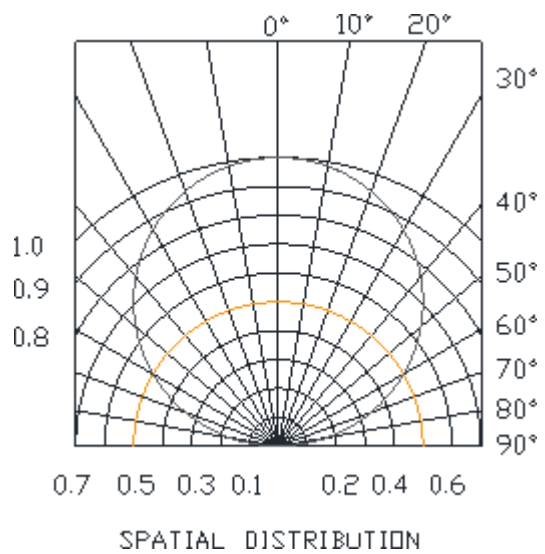
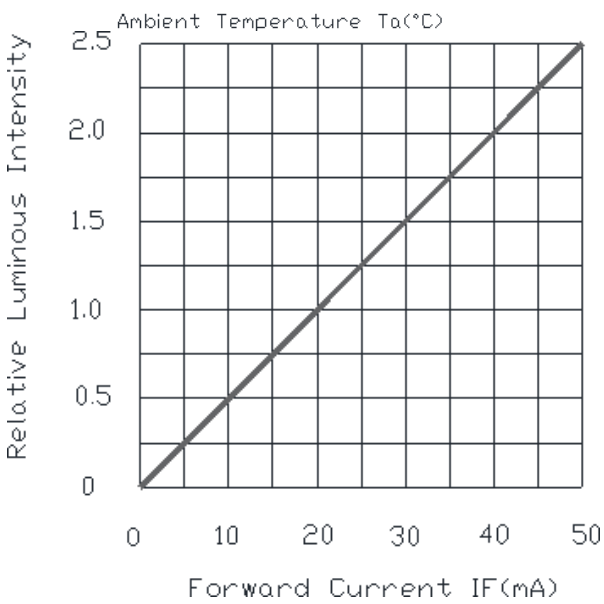
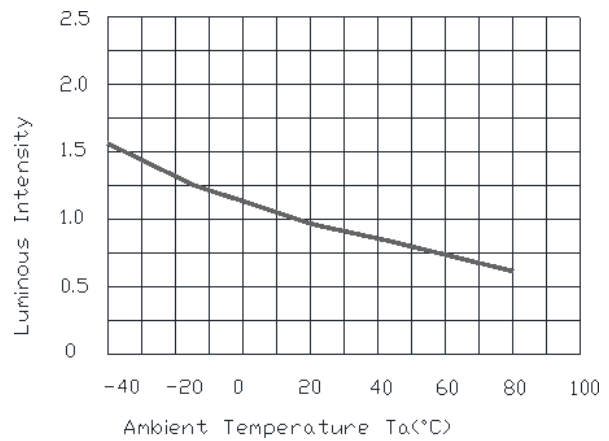
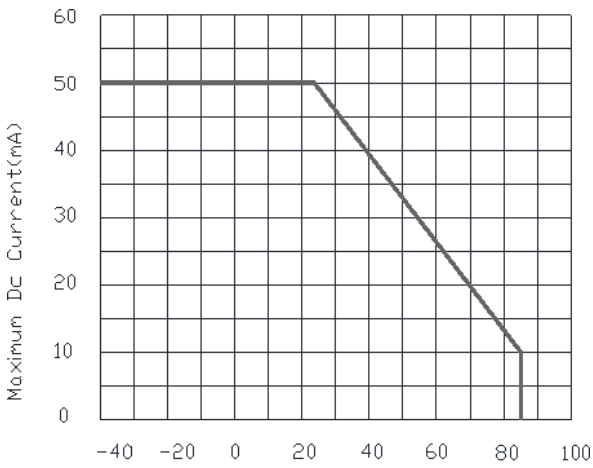
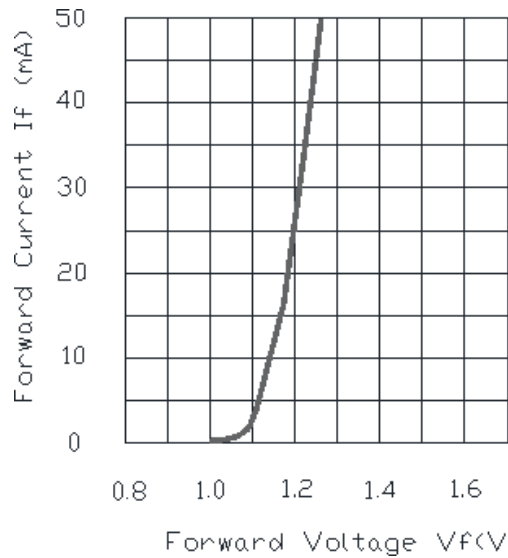
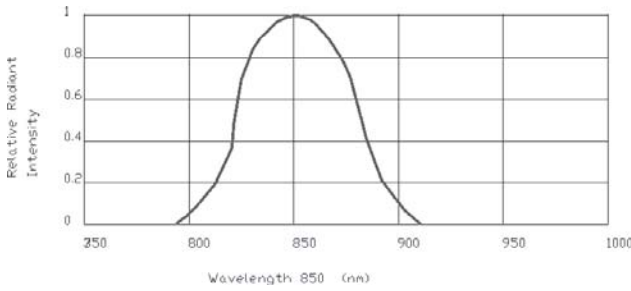
880nm



SMD Infrared Diode, dome type

BL-LS3216A0E1IR

850nm



SMD Infrared Diode, dome type

BL-LS3216A0E1IR

■ **Packing and weighting**

