

SMD LED LAMP
BL-LS1608D0E1
Features:

- 1.6mmx0.8mm SMD, Dome lens, 0.95mm THICKNESS
- Mono-color type
- Compatible with automatic placement equipment
- WIDE VIEWING ANGLE.
- IDEAL FOR BACKLIGHT AND INDICATOR.
- PACKAGE: 4KPCS/REEL.
- RoHs Compliance


Electrical-optical characteristics: (Ta=25°C) (Test Condition: IF=20mA)

Part Number	Chip			Lens Type	Forward Voltage(VF) Unit:V		Luminous Intensity (lv) Unit:mcd		Viewing Angle 2θ1/2 (deg)
	Emitted Color	Material	λp (nm)		Typ	Max	Min.	Typ.	
					BL-LS1608D0E1URC	Ultra Red	AlGaAs	655	
BL-LS1608D0E1UEC	Ultra Red	AlGaAs	630	2.10	2.50	250	500		
BL-LS1608D0E1UYO	Ultra Amber	AlGaInP	610	2.10	2.60	220	450		
BL-LS1608D0E1UYC	Ultra Yellow	AlGaInP	593	2.10	2.60	200	400		
BL-LS1608D0E1UGC	Ultra Green	AlGaInP	575	2.20	2.70	100	200		
BL-LS1608D0E1PGC	Ultra Pure Green	InGaN	525	3.10	4.20	600	1300		
BL-LS1608D0E1BGC	Ultra Bluish Green	InGaN	505	3.10	4.20	250	500		
BL-LS1608D0E1DNB	Blue	InGaN	470	3.10	4.20	250	450		
BL-LS1608D0E1UBC	Ultra Blue	InGaN	470	3.10	4.20	200	400		
BL-LS1608D0E1UWC	Ultra White	InGaN	/	3.10	4.20	250	450		

Absolute maximum ratings (Ta=25°C)

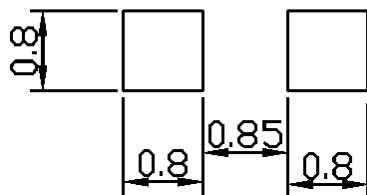
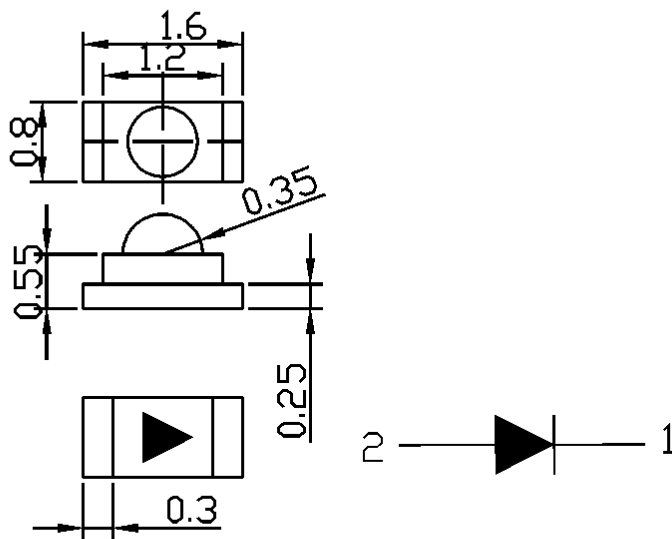
Parameter	UR	UE	UYO	UY	UG	PG	BG	DNB	UB	UW	Unit
Forward Current I _F	30	30	30	30	30	30	30	30	30	30	mA
Power Dissipation P _d	78	78	78	78	78	78	78	78	78	78	mW
Reverse Voltage V _R	5	5	5	5	5	5	5	5	5	5	V
Peak Forward Current I _{PF} (Duty 1/10 @1KHZ)	100	100	100	100	100	100	100	100	100	100	mA
Operation Temperature T _{OPR}	-30 to +80										°C
Storage Temperature T _{STG}	-40 to +85										°C
Lead Soldering Temperature T _{SOL}	Max.260±5°C for 3 sec Max. (1.6mm from the base of the epoxy bulb)										°C

SMD LED LAMP

BL-LS1608D0E1

■ **Package configuration & Internal circuit diagram**

BL-LS1608D0E1 Series



Notes:

1. All dimensions are in millimeters (inches)
2. Tolerance is $\pm 0.25(0.01)$ unless otherwise noted.
3. Specifications are subject to change without notice.

SMD LED LAMP

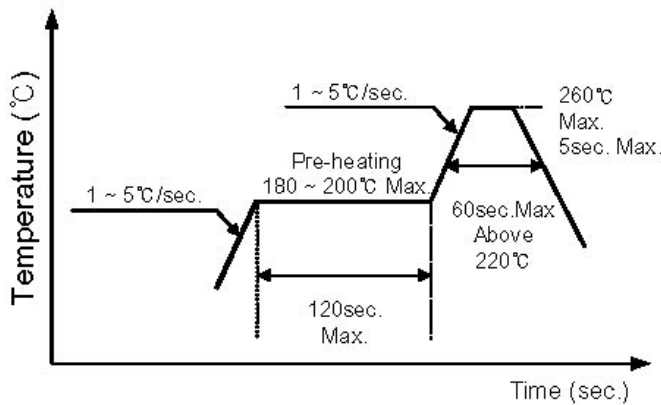
BL-LS1608D0E1

■ **Tape Specifications**

Smt Reflow Soldering Instructions

Number of reflow process shall be less than 2 times and cooling process to normal temperature is required between first and second soldering process

■ **Lead-free Solder**



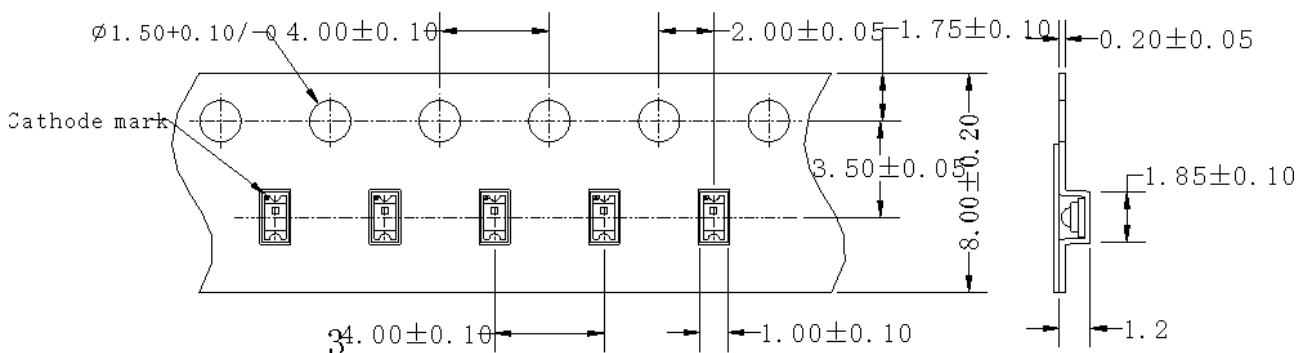
■ **Tape Specifications**

(Units:mm)

Tape Specifications

Unit: mm

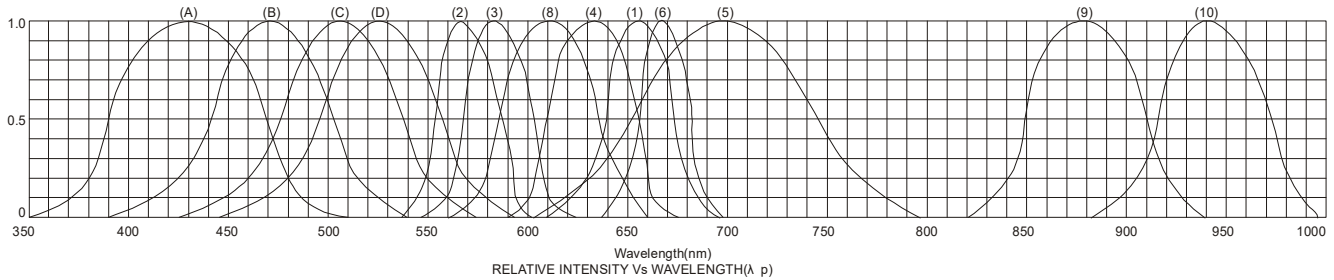
Tolerance: ± 0.1



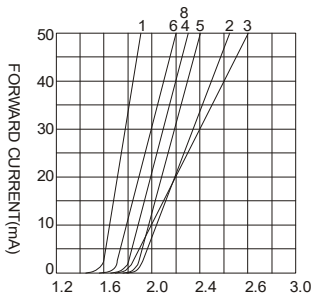
SMD LED LAMP

BL-LS1608D0E1

Typical electrical-optical characteristics curves:



- | | |
|---|--------------------------------------|
| (1) - GaAsP/GaAs 655nm/Red | (9) - GaAlAs 880nm |
| (2) - GaP 570nm/Yellow Green | (10) - GaAs/GaAs & GaAlAs/GaAs 940nm |
| (3) - GaAsP/GaP 585nm/Yellow | (A) - GaN/SiC 430nm/Blue |
| (4) - GaAsP/GaP 635nm/Orange & Hi-Eff Red | (B) - InGaN/SiC 470nm/Blue |
| (5) - GaP 700nm/Bright Red | (C) - InGaN/SiC 505nm/Ultra Green |
| (6) - GaAlAs/GaAs 660nm/Super Red | (D) - InGaN/SiC 525nm/Ultra Green |
| (8) - GaAsP/GaP 610nm/Super Red | |



FORWARD VOLTAGE (Vf)
FORWARD CURRENT VS.
FORWARD VOLTAGE



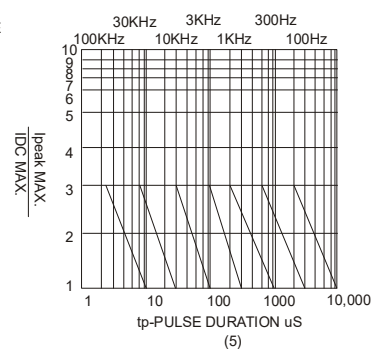
FORWARD CURRENT (mA)
RELATIVE LUMINOUS
INTENSITY VS. FORWARD
CURRENT



AMBIENT TEMPERATURE Ta(°C)
FORWARD CURRENT VS. AMBIENT
TEMPERATURE



AMBIENT TEMPERATURE Ta(°C)



NOTE:25°C free air temperature unless otherwise specified

SMD LED LAMP

BL-LS1608D0E1

■ **Packing and weighting**

