

SMD Photo Transistor

BL-LS1608A0E1PT

Features:

- 1.6mmx0.8mm SMD Type photo-transistor
- High Reliability
- High photo sensitivity
- Water Clear, black available
- Fast response time



Application

- Infrared applied system
- Smoke detector
- Infrared Camera
- Printer
- Optoelectronic switch
- Infrared applied system

Electrical-optical characteristics: (Ta=25°C)

| Parameter | Symbol | Min. | Typ. | Max. | Unit | Test Condition |
|---------------------------------------|-----------------|------|------|------|---------|----------------------------------|
| Rang Of wavelength | $\lambda^{0.5}$ | 760 | --- | 1100 | nm | --- |
| Peak Wavelength | λ^P | --- | 940 | --- | nm | --- |
| Collector – Emitter Breakdown Voltage | BV^{CEO} | 30 | --- | --- | V | $I^C=100\mu A$ $E^e=0mW/cm^2$ |
| Emitter-Collector Breakdown Voltage | BV^{ECO} | 5 | --- | --- | V | $I^E=100\mu A$ $E^e=0mW/cm^2$ |
| Collector-Emitter Saturation Voltage | $V^{CE(sat)}$ | --- | --- | 0.8 | V | $I^C=2mA$ $E^e=1mW/cm^2$ |
| Rise Time | t^r | --- | 15 | --- | μS | $V^{CE}=5V$ $I^C=1mA$ |
| Fall Time | t^f | --- | 15 | --- | | $R^L=1000\Omega$ |
| Collector Dark Current | I^{CEO} | --- | --- | 100 | nA | $E^e=0mW/cm^2$ $V^{CE}=20V$ |
| On State Collector Current | $I^{C(on)}$ | 0.1 | 0.3 | --- | mA | $E^e=1mW/cm^2$ $V^{CE}=5V$ |

Absolute maximum ratings (Ta=25°C)

| Parameter | Rating | Unit |
|--------------------------------------|---|------|
| Collector-Emitter Voltage V_{ceo} | 30 | v |
| Emitter-Collector Voltage V_{eco} | 5 | v |
| Power Dissipation P_d | 100 | mW |
| Reverse Voltage V_R | 5 | v |
| Operation Temperature T_{OPR} | -40 to +80 | °C |
| Storage Temperature T_{STG} | -40 to +85 | °C |
| Lead Soldering Temperature T_{SOL} | Max.260±5°C for 3 sec Max. (1.6mm from the base of the epoxy bulb) | °C |

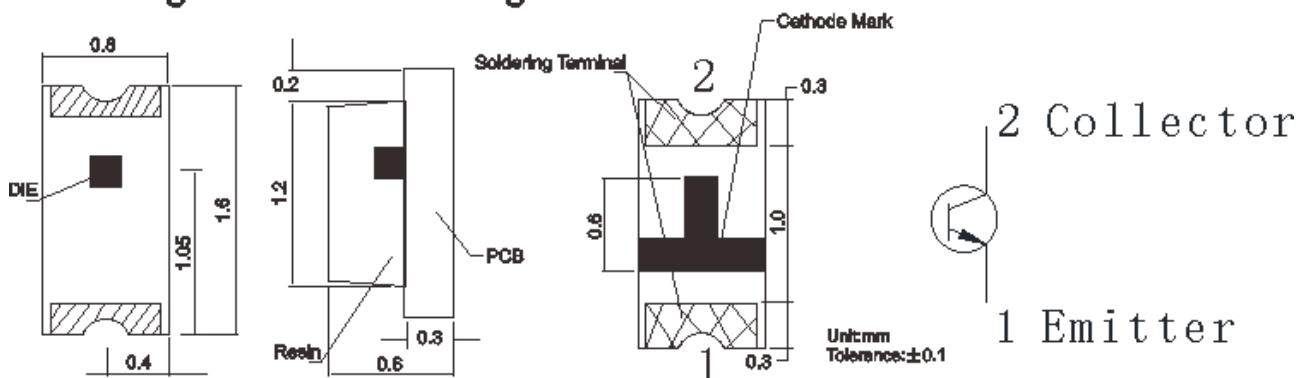
SMD Photo Transistor

BL-LS1608A0E1PT

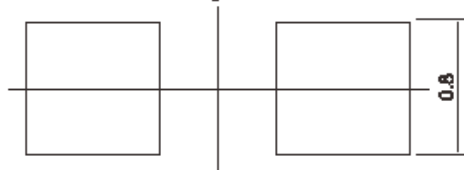
■ Package configuration & Internal circuit diagram

BL-LS1608A0E1

Package Outline Drawing



Recommended Soldering Pad Dimensions



Notes:

1. All dimensions are in millimeters (inches)
2. Tolerance is $\pm 0.25(0.01)$ unless otherwise noted.
3. Specifications are subject to change without notice.

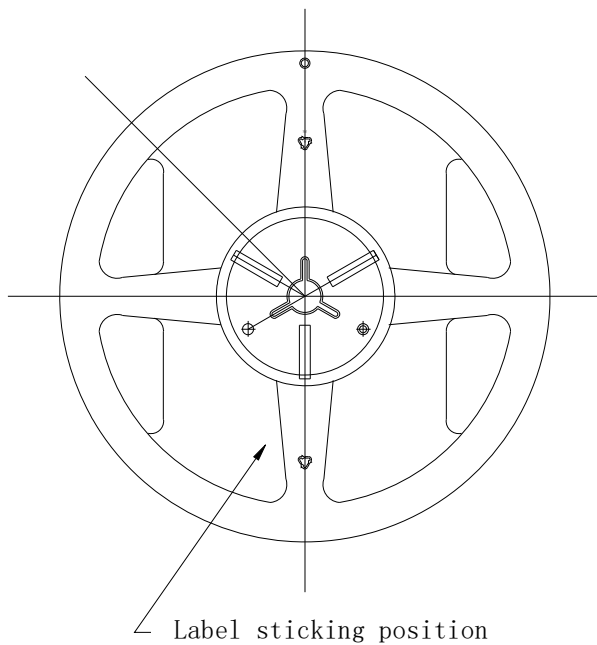
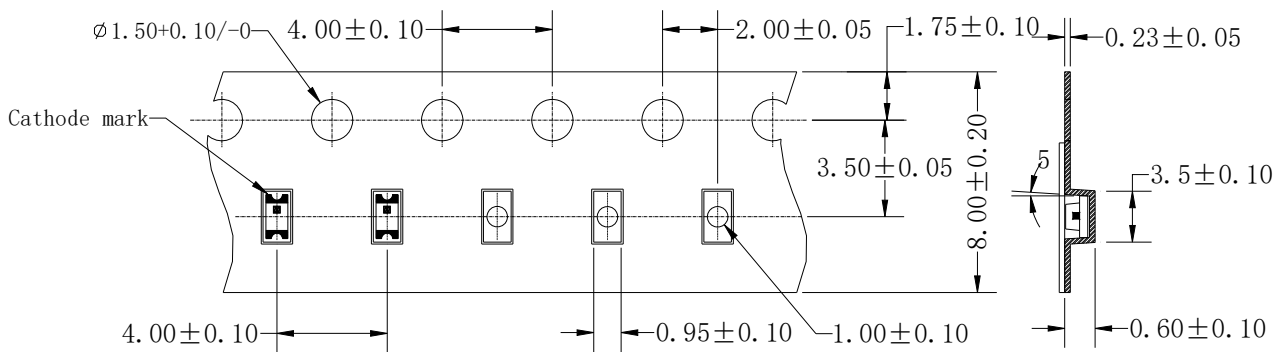
SMD Photo Transistor

BL-LS1608A0E1PT

■ Tape Specifications

Unit: mm

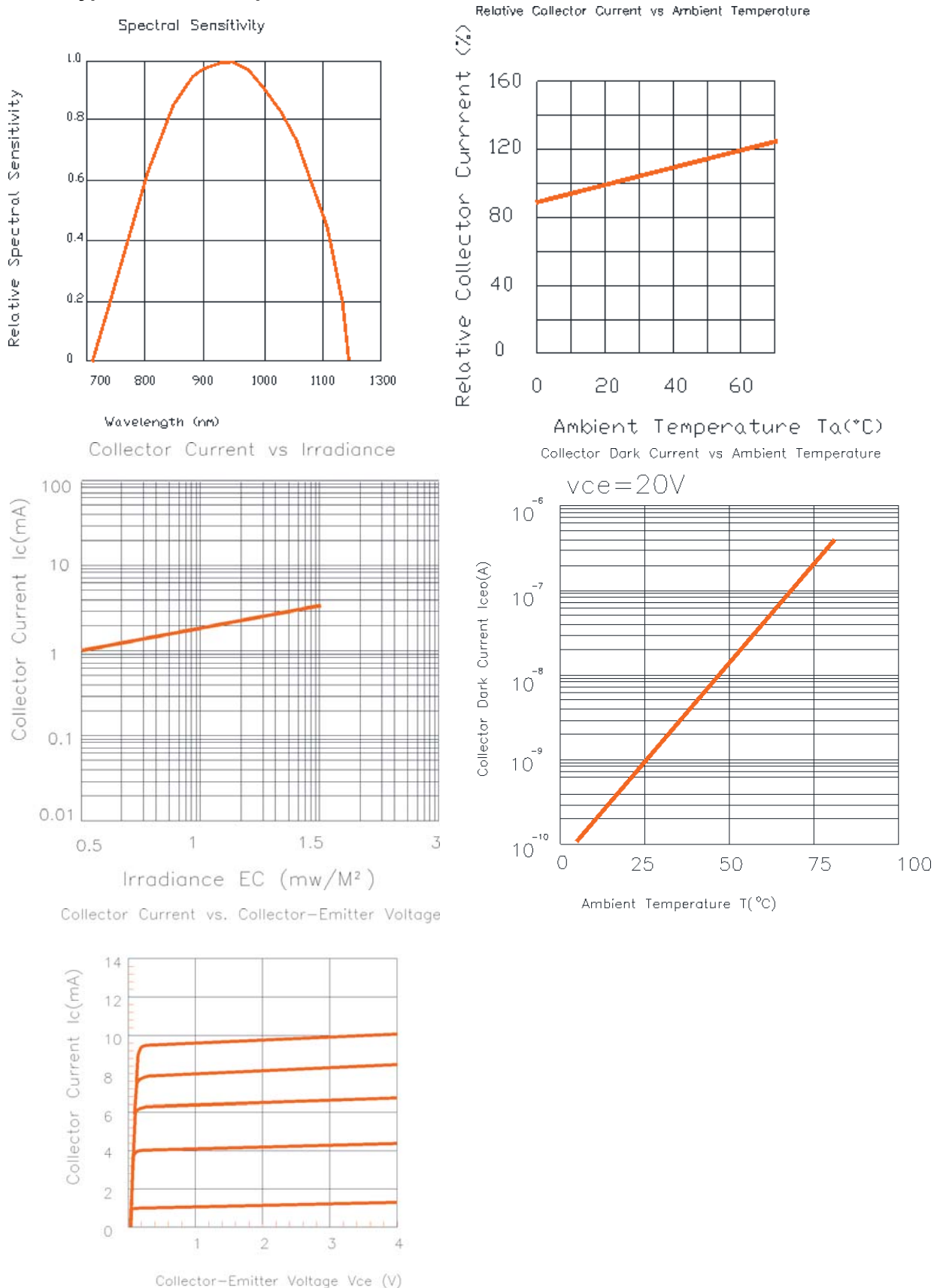
Tolerance: ± 0.1



SMD Photo Transistor

BL-LS1608A0E1PT

■ Typical electrical-optical characteristics curves:



SMD Photo Transistor

BL-LS1608A0E1PT

■ **Packing and weighting**

