

High Power LED

BL-LS5630A1S1

■ Features:

- 1W LEDs , 5.6mmx3.0mm SMD, 0.9mm THICKNESS
- Longer service and less luminosity loss, 50,000hours
- Different emitting colors are available Working current: 200-350mA
- With or without heat sink are both available
- PACKAGE: 2000PCS/REEL

■ Applications:

Commercial lighting
Residential lighting
Decorative lighting



■ Electrical-optical characteristics: (Ta=25°C) (Test Condition: IF=120mA)

Part Number	Chip		Lens Type	Forward Voltage(VF) Unit:V		Flux Unit:lm		Viewing Angle 201/2 (deg)
	Emitted Color	λ_P (nm) or CTT		Typ	Max	Min.	Typ.	
				BL-LS5630A1S1UEC-1W	Ultra Red	630	2.2	
BL-LS5630A1S1UYC-1W	Ultra Yellow	590	2.2	2.75	4000	6000		
BL-LS5630A1S1PGC-1W	Ultra Pure Green	525	3.2	3.8	7000	10000		
BL-LS5630A1S1UBC-1W	Ultra Blue	470	3.2	3.8	7000	10000		
BL-LS5630A1S1UWC-1W	Ultra White	-	3.2	3.8	10000	15000		

■ Absolute maximum ratings (Ta=25°C)

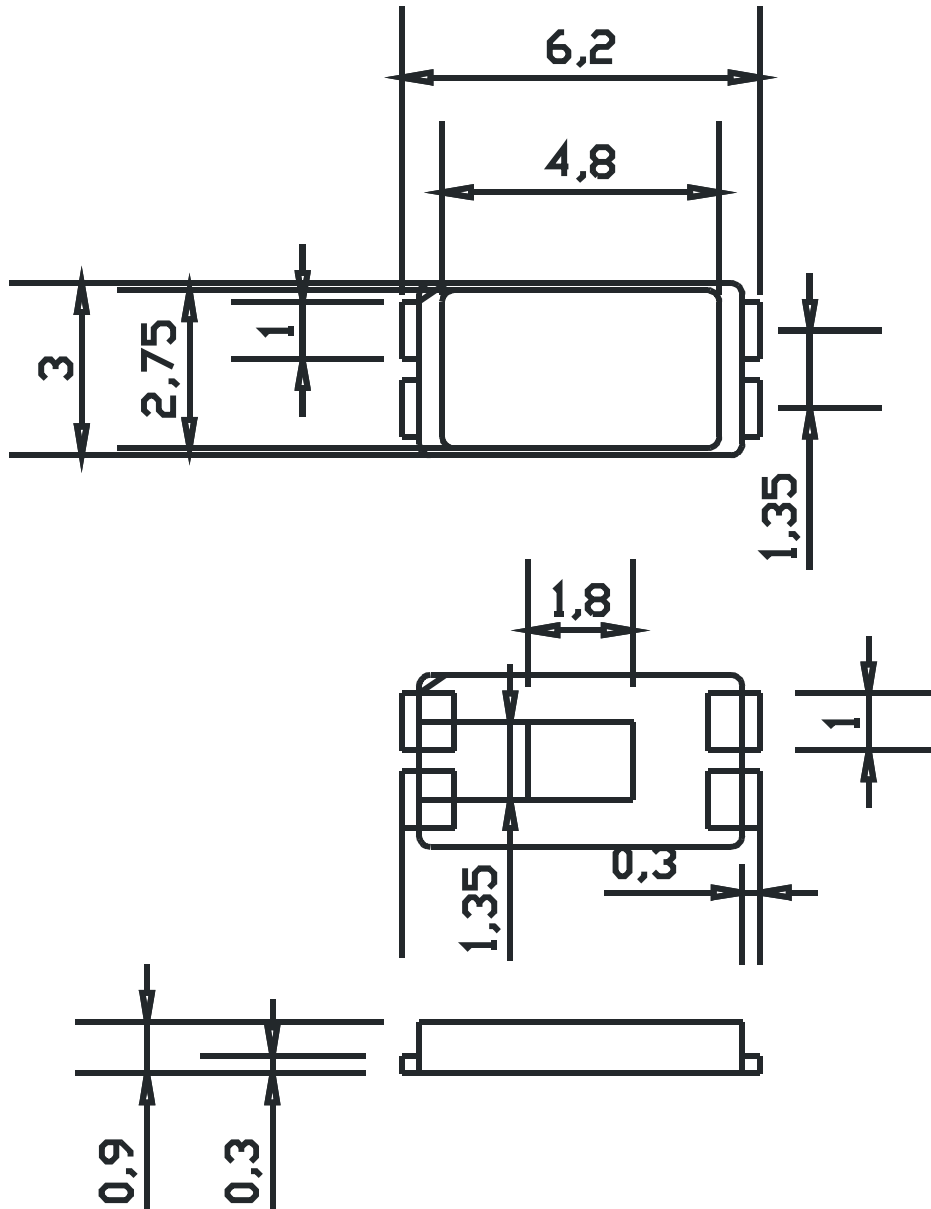
Parameter	UE	UY	PG	UB	UW	Unit
Forward Current I_F	180	180	180	180	180	mA
LED Junction Temperature	120	120	120	120	120	°C
Peak Forward Current I_{PF} (Duty 1/10 @1KHZ)	300	300	300	300	300	mA
Operation Temperature T_{OPR}	-40 to +80					°C
Storage Temperature T_{STG}	-40 to +100					°C
Aluminum-Core Pcb Temperature	105					°C

High Power LED

BL-LS5630A1S1

Package configuration & Internal circuit diagram

BL-LS5630A1S1 Series



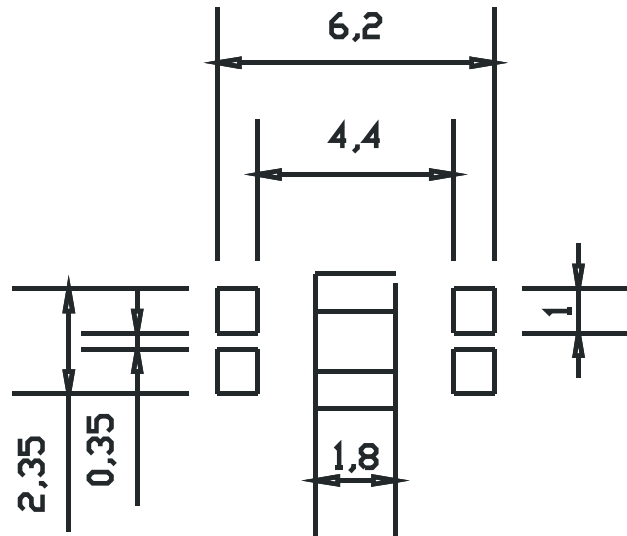
Notes:

1. All dimensions are in millimeters (inches)
2. Tolerance is $\pm 0.25(0.01)$ unless otherwise noted.
3. Specifications are subject to change without notice.

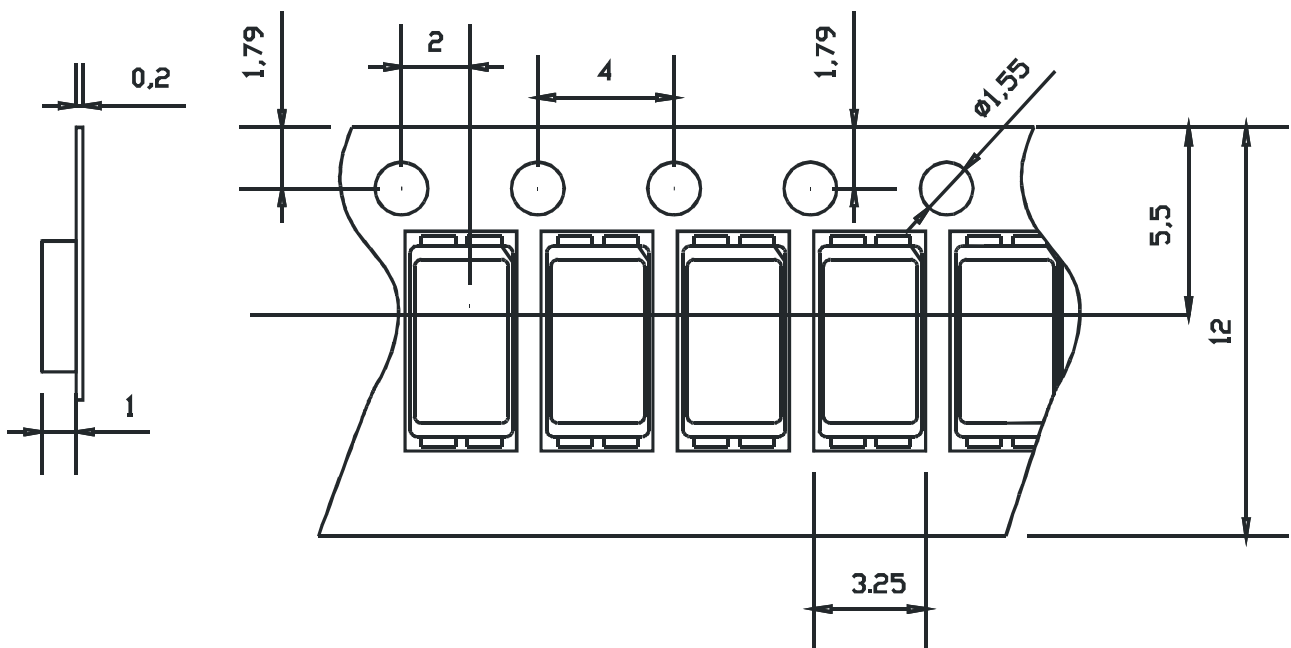
High Power LED

BL-LS5630A1S1

■ Recommended Soldering Pad Dimensions:



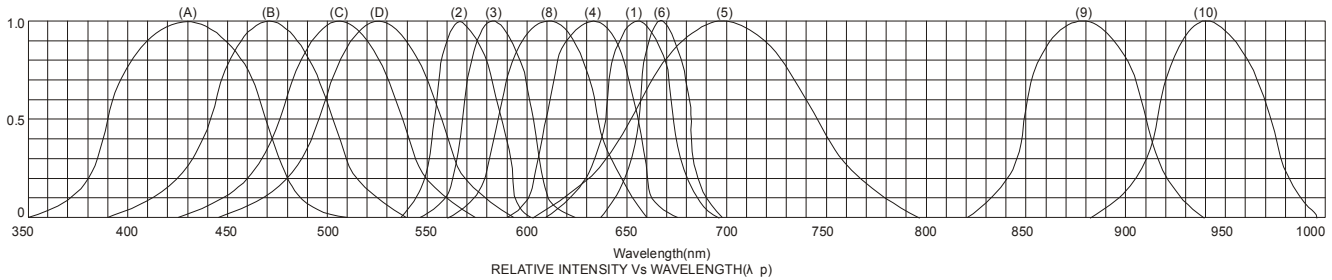
■ Tape Specifications



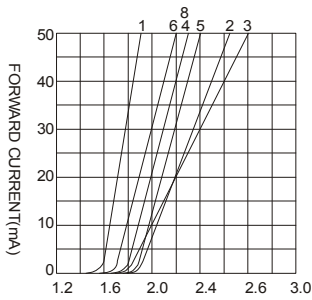
High Power LED

BL-LS5630A1S1

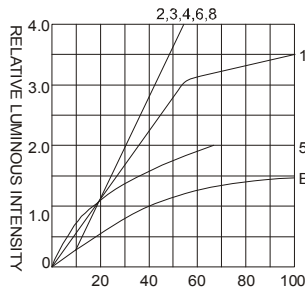
Typical electrical-optical characteristics curves:



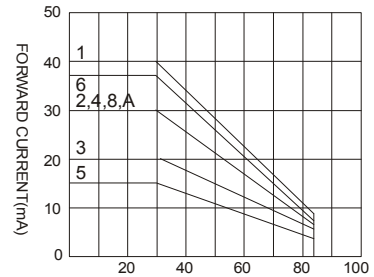
- (1) - GaAsP/GaAs 655nm/Red
- (2) - GaP 570nm/Yellow Green
- (3) - GaAsP/GaP 585nm/Yellow
- (4) - GaAsP/GaP 635nm/Orange & Hi-Eff Red
- (5) - GaP 700nm/Bright Red
- (6) - GaAlAs/GaAs 660nm/Super Red
- (8) - GaAsP/GaP 610nm/Super Red
- (9) - GaAlAs 880nm
- (10) - GaAs/GaAs & GaAlAs/GaAs 940nm
- (A) - GaN/SiC 430nm/Blue
- (B) - InGaN/SiC 470nm/Blue
- (C) - InGaN/SiC 505nm/Ultra Green
- (D) - InGaN/SiC 525nm/Ultra Green



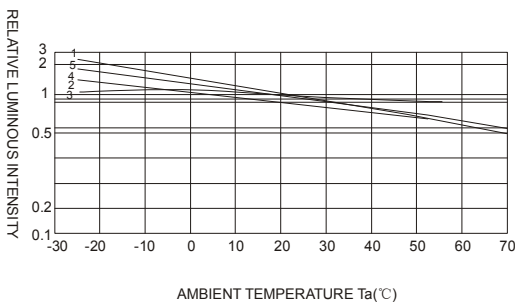
FORWARD VOLTAGE (Vf)
FORWARD CURRENT VS.
FORWARD VOLTAGE



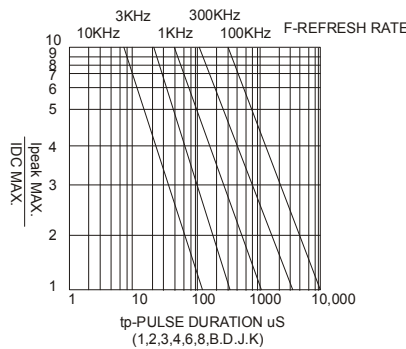
FORWARD CURRENT (mA)
RELATIVE LUMINOUS
INTENSITY VS. FORWARD
CURRENT



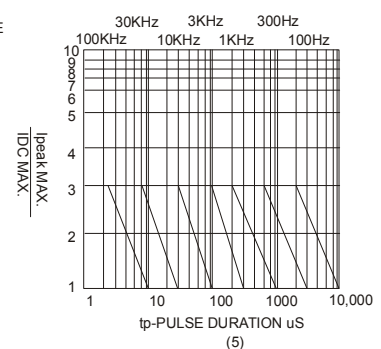
AMBIENT TEMPERATURE Ta(°C)
FORWARD CURRENT VS. AMBIENT
TEMPERATURE



AMBIENT TEMPERATURE Ta(°C)



tp-PULSE DURATION μ S
(1,2,3,4,6,8,B,D,J,K)



(5)

NOTE: 25°C free air temperature unless otherwise specified

High Power LED

BL-LS5630A1S1

■ **Packing and weighting**

