

Oval Type LED lamp

BL-L557

Features:

- Ø 5mm Oval Type (5.0*4.1*7.1mm) LED Lamps
- Ø Ultra brightness.
- Ø Choice of various viewing angles.
- Ø Diffused, Transparent and Water clear lens are available.
- Ø IC compatible /Low current capability.
- Ø RoHs Compliance



Electrical-optical characteristics: (Ta=25°C) (Test Condition: IF=20mA)

Part Number	Chip			Lens Type	Forward Voltage(VF) Unit:V		Luminous Intensity (Iv) Unit:mcd		Viewing Angle 2θ/2 (deg)
	Emitted Color	Material	λp (nm)		Typ	Max	Min.	Typ.	
					Water Clear				
BL-L557SRC	Hi Red	AlGaAs,SH	660		1.85	2.20	50	250	X-X 70 Y-Y 40
BL-L557LRC	Super Red	AlGaAs,DH	660		1.85	2.20	200	600	
BL-L557URC	Ultra Red	AlGaAs,DDH	660		1.95	2.20	500	750	
BL-L557UEC	Ultra Orange	AlGaInP	630		2.10	2.50	250	800	
BL-L557UYC	Ultra Yellow	AlGaInP	590		2.10	2.50	250	800	
BL-L557UGC	Ultra Green	AlGaInP	574		2.20	2.50	100	250	
BL-L557PGC	Ultra Pure Green	InGaN	525		3.80	4.50	600	1800	
BL-L557BGC	Ultra Bluish Green	InGaN	505		3.80	4.50	550	1500	
BL-L557BC	Blue	InGaN	430		3.80	4.50	300	800	
BL-L557UBC	Ultra Blue	InGaN	470		2.70	4.20	600	1500	
BL-L557VC	UV	InGaN	405		3.80	4.50	50	90	
BL-L557UWC	Ultra White	InGaN	/		2.70	4.20	1000	2300	

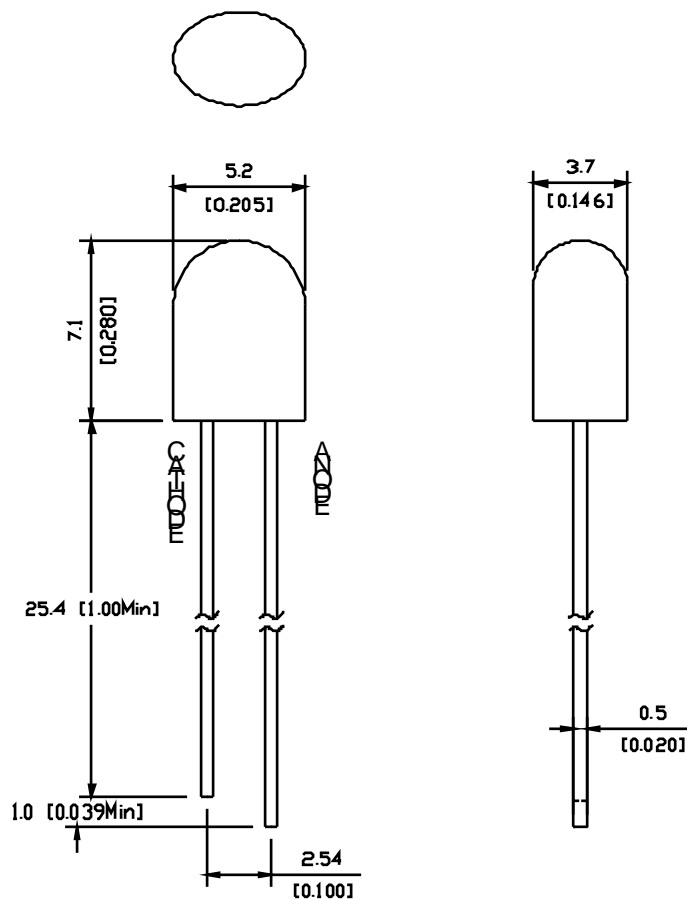
Absolute maximum ratings (Ta=25°C)

Parameter	SR	LR	UR	UE	UY	UG	PG	BG	B	UB	UV	W	Unit
Forward Current I _F	25	25	25	30	30	30	30	30	30	30	30	30	mA
Power Dissipation P _d	60	60	60	65	65	75	110	110	120	120	120	120	mW
Reverse Voltage V _R	5	5	5	5	5	5	5	5	5	5	5	5	V
Peak Forward Current I _{PF} (Duty 1/10 @1KHZ)	150	150	150	150	150	150	150	100	100	100	100	100	mA
Operation Temperature T _{OPR}	-40 to +80												°C
Storage Temperature T _{STG}	-40 to +85												°C
Lead Soldering Temperature T _{SOI}	Max.260±5°C for 3 sec Max. (1.6mm from the base of the epoxy bulb)												°C

Oval Type LED lamp

BL-L557

Package configuration & Internal circuit diagram



Notes:

1. All dimensions are in millimeters (inches)
2. Tolerance is $\pm 0.25(0.01)$ unless otherwise noted.
3. Specifications are subject to change without notice.

Oval Type LED lamp

BL-L557

Typical electrical-optical characteristics curves:



- (1) - GaAsP/GaAs 655nm/Red
- (2) - GaP 570nm/Yellow Green
- (3) - GaAsP/GaP 585nm/Yellow
- (4) - GaAsP/GaP 635nm/Orange & Hi-Eff Red
- (5) - GaP 700nm/Bright Red
- (6) - GaAlAs/GaAs 660nm/Super Red
- (8) - GaAsP/GaP 610nm/Super Red
- (9) - GaAlAs 880nm
- (10) - GaAs/GaAs & GaAlAs/GaAs 940nm
- (A) - GaN/SiC 430nm/Blue
- (B) - InGaN/SiC 470nm/Blue
- (C) - InGaN/SiC 505nm/Ultra Green
- (D) - InGaAlSiC 525nm/Ultra Green



FORWARD VOLTAGE (Vf)
FORWARD CURRENT VS.
FORWARD VOLTAGE



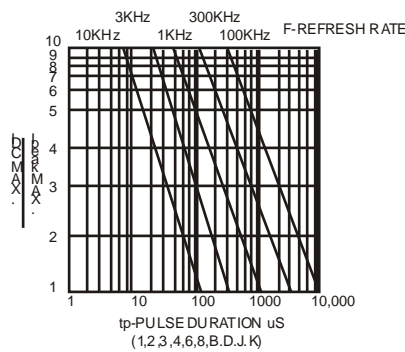
FORWARD CURRENT (mA)
RELATIVE LUMINOUS
INTENSITY VS. FORWARD
CURRENT



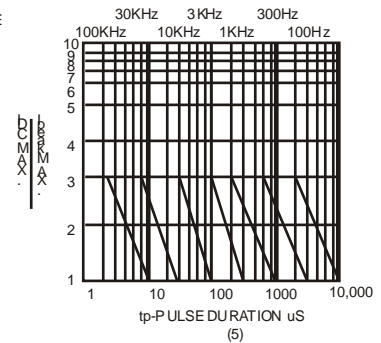
AMBIENT TEMPERATURE Ta()
FORWARD CURRENT VS. AMBIENT
TEMPERATURE



AMBIENT TEMPERATURE Ta()



tp-PULSE DURATION µS
(1,2,3,4,6,8,B,D,J,K)



(5)

NOTE:25 free air temperature unless otherwise specified

Oval Type LED lamp

BL-L557

Packing and weighting

