

STRIP LIGHT, RGB COLOR

TLS-SMD-10H-RGB

Features:

- 573.5mm*10mm SMD strip light (30 LED)
- 1.6mm PCB thickness.
- 12VDC Voltage
- 600mA working current
- Package: 1pcs/PVC tube
- RoHs Compliance



■ **Absolute maximum ratings (Ta=25°C)**

Parameter	Rating	Unit
Forward Current I_f	600	mA
Power Dissipation P_d	7.2	mW
Electrostatic discharge ESD	800	V
Operation Temperature T_{OPR}	-25 to +60	
Storage Temperature T_{STG}	-40 to +85	
Lead Soldering Temperature T_{SOL}	Max.260 ± 5 for 3 sec Max. (1.6mm from the base of the epoxy bulb)	

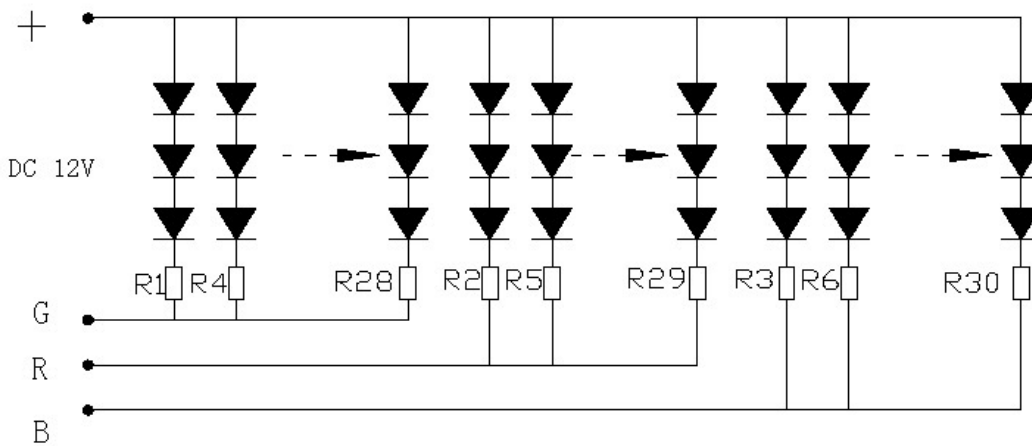
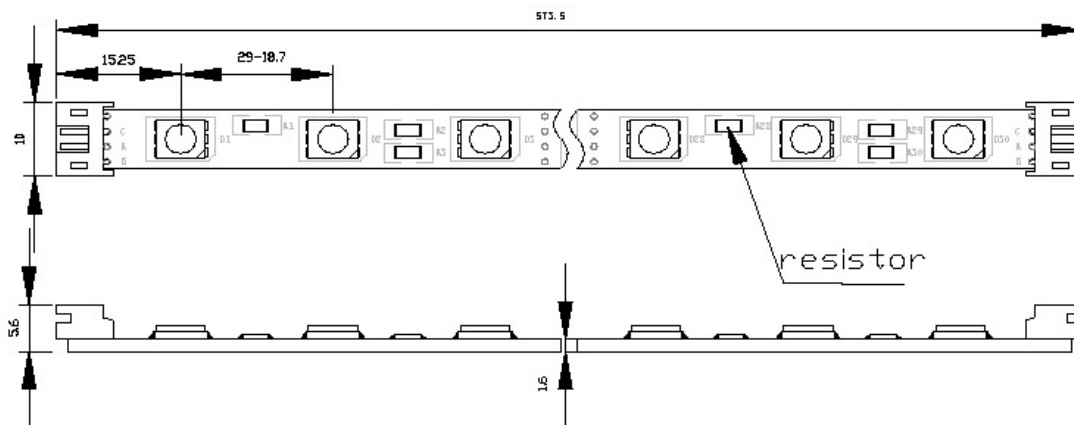
■ **Electrical-Optical Characteristics (Ta=25°C)**

Parameter	Color		Min	Typ.	Max	Unit
Forward Voltage DC V_F	RGB	600mA		12	-	V
Dominant Wavelength λ_D	R	200mA	621	624	-	nm
	G	200mA	516	518	-	
	B	200mA	470	471	-	
Luminous Flux	R	200mA	-	22	-	lm
	G	200mA	-	55	-	
	B	200mA	-	22	-	
Recommend Forward Current I_F	-	-	-	600	-	mA

STRIP LIGHT, RGB COLOR

TLS-SMD-10H-RGB

Package configuration & Internal circuit diagram



Notes:

1. All dimensions are in millimeters (inches)
2. Tolerance is $\pm 1\text{mm}(0.01\text{'})$ unless otherwise noted.
3. Specifications are subject to change without notice.